

## Salamanders

### Electric Salamander, open on 3 sides - 600mm

ITEM # \_\_\_\_\_

MODEL # \_\_\_\_\_

NAME # \_\_\_\_\_

SIS # \_\_\_\_\_

AIA # \_\_\_\_\_



- |                              |  |
|------------------------------|--|
| <b>283014 (E0UUAEBOMOA)</b>  | Electric Salamander, open on 3 sides, 600 mm, accepts GN 1/1 |
| <b>283015 (E0UUAADBOMOA)</b> | Electric Salamander, open on 3 sides, 600 mm, accepts GN 1/1 |

### Short Form Specification

**Item No.** \_\_\_\_\_

Constructed in AISI 304 stainless steel. Table top model can be hanged on the wall with wall brackets (optional). Open on 3 sides. Incoloy heating elements placed in the upper deck, and can be tilted for easy cleaning. Upper desk is movable, sliding up and down along runners. 2 independent cooking areas managed by 2 separate energy regulator. Air vents along the upper side for evacuating heat and smoke. Extractable drip trays and chromium-plated steel grids for easy cleaning.

### Main Features

- Cooking plate size: 600 x 350 mm accept GN 1/1.
- Heat control with energy regulator.
- Open 3 sides for rapid cooling and ease of use.
- Heating elements can be tilted for easy cleaning under the moving deck.

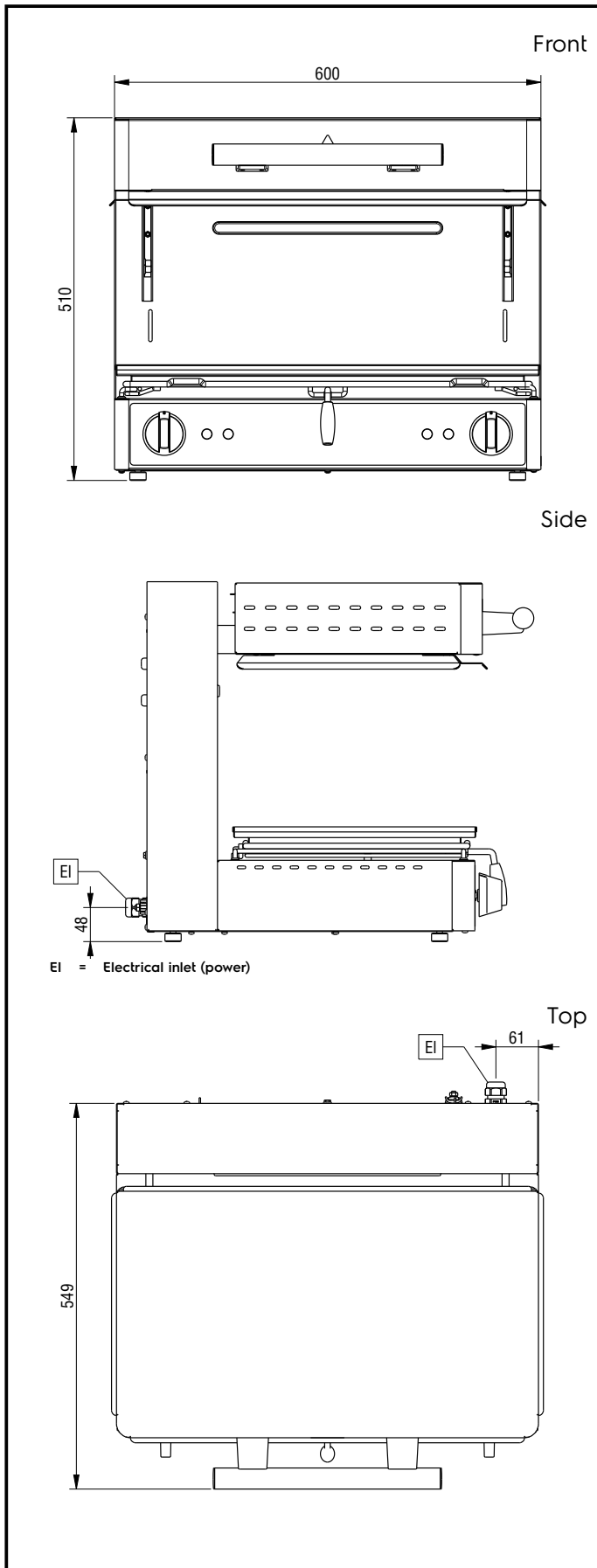
### Construction

- Made of AISI 304 stainless steel.
- 2 independent tilting incoloy armoured heating elements.
- Air vents along the upper side for evacuating heat and smoke.
- Removable stainless steel drip tray.
- Movable upper plate.
- Chromium-plated steel grid with a safety stop to avoid accidental fall.
- Table top unit can be wall mounted with dedicated optional accessory.
- 4 rubber feet.

### Optional Accessories

- Wall mounted brackets kit for salamanders open on 3 sides PNC 283035

**APPROVAL:** \_\_\_\_\_



#### Electric

##### Supply voltage:

283014 (E0UUAEBOMOA) 220-240 V/1 ph/50/60 Hz

283015 (E0UUADBOMOA) 380/415 V/3N ph/50/60 Hz

Electrical power max.: 4 kW

#### Key Information:

External dimensions, Width: 600 mm

External dimensions, Depth: 549 mm

External dimensions, Height: 510 mm

Net weight: 48 kg